

VENUS
VALVES INDUSTRIES

A Sign of High Quality

www.venusvalvesind.com

ISO 9001:2015



index



VENUS
VALVES INDUSTRIES

01	ABOUT COMPANY	P 02-03
02	ART NO.90 BALL VALVE	P 04-07
03	ART NO.200 BALL VALVE	P 08-11
04	GAS VALVE	P 12
05	ART NO.85 HOSE BIB COCK	P 13-14
06	ART NO.80 GATE VALVE	P 15- 16
07	ART NO.50 CHECK VALVE	P 17-18
08	ART NO.60 SWING CHECK VALVE	P 19-20
09	ART NO.55 & 70 FOOT VALVE	P 21-22
10	ART NO.40 Y- STRAINER	P 23-24
11	ART NO.128 &130 DRAIN COCK & STOP COCK	P 25-26
12	ANGLE VALVE	P 27-28
13	WATER HEATER SAFETY VALVE	P - 29-30
14	CP FITTINGS	P - 31-32
15	TESTING FACILITIES	P - 33



ABOUT COMPANY

Venus Valves Industries is Located at Jamnagr, Gujarat, India. We have Long Experience in Industrial and sanitary fittings Valves, Now we are manufacturing different type of brass and bronze Valves and fitting in India under the brand name "**VENUS**".

We are an ISO 9001:2015 certified valves Industries and leading manufacturer and exporter products like Ball Valve, Gas Yavle, Gate Valve, Check Valve, Foot Valve, Floating Valve, CP Fittings & etc.

Our Unit is managed by a team of qualified personnel with extensive experience in the field. We have made rapid strides in technology and statute and are today recognized by our esteemed customers as the most reliable single point source for their versatile requirement of Valves. Their sustained support bears ample testimony for the confidence reposed in us.



Quality Policy

Our quality control system and its data's are regularly audited by our Management & External Auditors We can make the products as per different International standards and specification.



Our Mission

Our Mission integrated solutions and technologies for water, gas and oil supply system to global customers.



Our Vision

Our Vision is to Increase the Production Capacity and gradually be the Flagship Supplier with Best Quality and Management System Implementation.

Certificate





VENUS



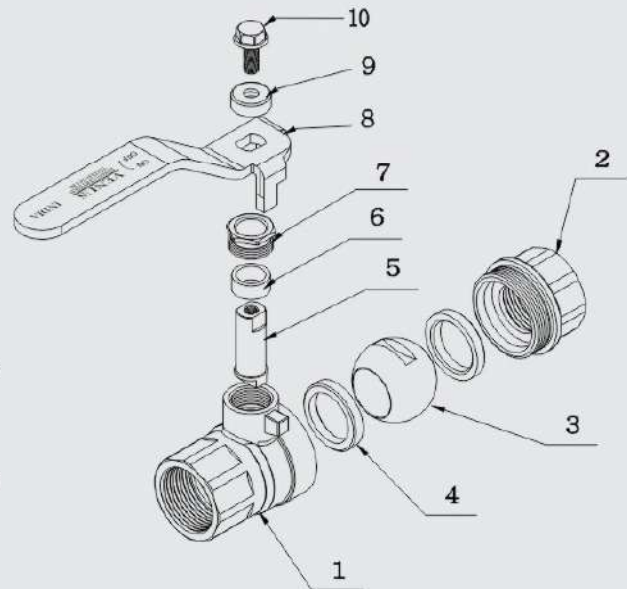
1 THREADED END BALL VALVES

Make sure all surfaces are clear and free of debris on the piping Connection.

Use Teflon tape or approved sealant is recommended.

Prepare two smooth-jawed adjustable wrenches when installing the valve.
A loosely fitting pipe wrench can distort the valve and Causes a leak.

Apply one wrench on the hex nearest the joint being tightened to prevent breaking the seal between the end cap and body of the valve.



2 SOLDERED END BALL VALVES

Clean and flux before installing.

Cut tubing in a proper dimension square, de-burred, and clean with a solvent.

Turn the valve in the fully open position.

Wrap a wet rag around valve body.

Use soft solder, a low temperature solder (420 F/216 C). Higher temperature solders may damage the seat material.

Apply heat with the flame directed away from the center of the valve body. Excessive heat can harm the seats (end cap-to-body seal and Teflon seats).

Check the packing gland after soldering. It may have to be tightened in 1/8 to 1/4 turn increments until leak stops.

3 OPERATION

To open or close the valve, turn the handle 1/4 turn (90 degrees)

In open position - the handle rotation is counterclockwise and the handle is parallel with the valve.

In close position - the handle rotation is clockwise and the handle is perpendicular with the valve.

4 NOTE

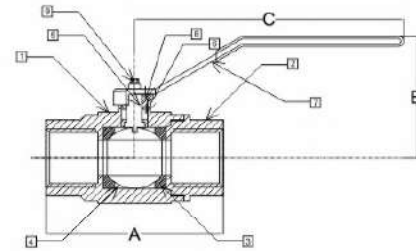
Always test valve and system before putting the system into Service

Design and any specifications are subject to change without prior notice.

CAUTION : Do not disassemble valve while under pressure nor with entrapped hazardous fluids therein.



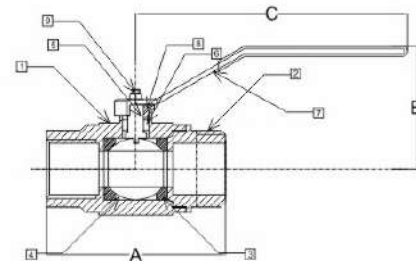
90 BRASS BALL VALVE F.F.



NO	PART	MATERIAL
1	BODY	FORGED BRASS
2	CAP	FORGED BRASS
3	BALL	BRASS
4	BALL SEAT	PTFE
5	STEM	BRASS ROD
6	STEM SEAT	PTFE
7	NUT	BRASS
8	HANDLE	MILD STEEL
9	CUP WASHER	MILD STEEL
10	SCREW	MILD STEEL

SIZE	1/2"	3/4"	1"	1.1/4"	1.1/2"	2"	2.1/2"	3"	4"
A	49	58	67	74	87	104	127	147	177
B	60.5	55.5	62.5	72.5	79	97	122	149	166
C	87	111.5	109	123.5	141	157	220	265	265

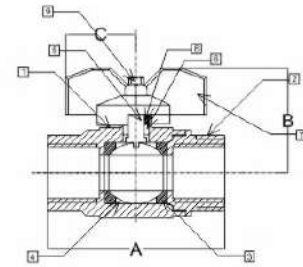
95 BRASS BALL VALVE M.F.



NO	PART	MATERIAL
1	BODY	FORGED BRASS
2	CAP	FORGED BRASS
3	BALL	BRASS
4	BALL SEAT	PTFE
5	STEM	BRASS ROD
6	STEM SEAT	PTFE
7	NUT	BRASS
8	HANDLE	MILD STEEL
9	CUP WASHER	MILD STEEL
10	SCREW	MILD STEEL

SIZE	1/2"	3/4"
A	54	62.5
B	50.5	55.5
C	87	111

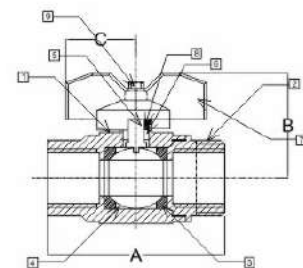
92 BRASS BALL VALVE F.F.



NO	PART	MATERIAL
1	BODY	FORGED BRASS
2	CAP	FORGED BRASS
3	BALL	BRASS
4	BALL SEAT	PTFE
5	STEM	BRASS ROD
6	STEM SEAT	PTFE
7	NUT	BRASS
8	HANDLE	ALUMINIUM
9	SCREW	MILD STEEL

SIZE	1/2"	3/4"
A	49	58
B	38	45.5
C	27	31

97 BRASS BALL VALVE M.F.



NO	PART	MATERIAL
1	BODY	FORGED BRASS
2	CAP	FORGED BRASS
3	BALL	BRASS
4	BALL SEAT	PTFE
5	STEM	BRASS ROD
6	STEM SEAT	PTFE
7	NUT	BRASS
8	HANDLE	ALUMINIUM
9	SCREW	MILD STEEL

SIZE	1/2"	3/4"
A	54	62.5
B	38	45.5
C	27	31



VENUS



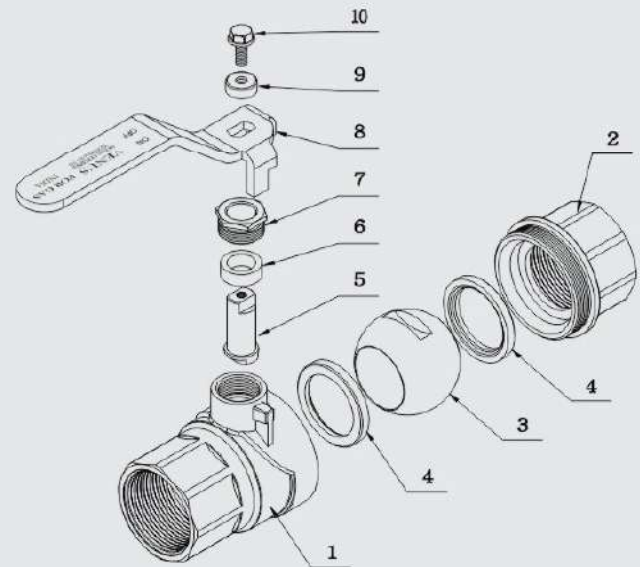
1 THREADED END BALL VALVES

Make sure all surfaces are clear and free of debris on the piping Connection.

Use Teflon tape or approved sealant is recommended.

Prepare two smooth-jawed adjustable wrenches when installing the valve.
A loosely fitting pipe wrench can distort the valve and Causes a leak.

Apply one wrench on the hex nearest the joint being tightened to prevent breaking the seal between the end cap and body of the valve.



2 SOLDERED END BALL VALVES

Clean and flux before installing.

Cut tubing in a proper dimension square, de-burred, and clean with a solvent.

Turn the valve in the fully open position.

Wrap a wet rag around valve body.

Use soft solder, a low temperature solder (420 F/216 C). Higher temperature solders may damage the seat material.

Apply heat with the flame directed away from the center of the valve body. Excessive heat can harm the seats (end cap-to-body seal and Teflon seats).

Check the packing gland after soldering. It may have to be tightened in 1/8 to 1/4 turn increments until leak stops.

3 OPERATION

To open or close the valve, turn the handle 1/4 turn (90 degrees)

In open position - the handle rotation is counterclockwise and the handle is parallel with the valve.

In close position - the handle rotation is clockwise and the handle is perpendicular with the valve.

4 NOTE

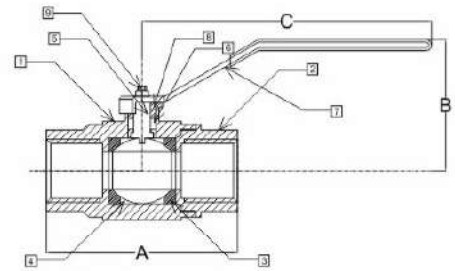
Always test valve and system before putting the system into Service

Design and any specifications are subject to change without prior notice.

CAUTION : Do not disassemble valve while under pressure nor with entrapped hazardous fluids therein.



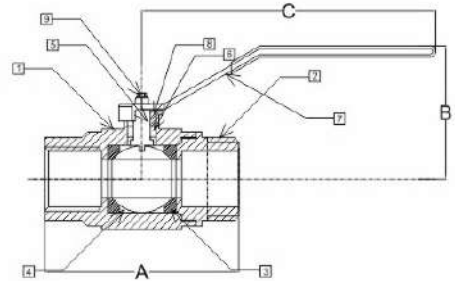
200 BRASS BALL VALVE F.F.



NO	PART	MATERIAL
1	BODY	FORGED BRASS
2	CAP	FORGED BRASS
3	BALL	BRASS
4	BALL SEAT	PTFE
5	STEM	BRASS ROD
6	STEM SEAT	PTFE
7	NUT	BRASS
8	HANDLE	MILD STEEL
9	CUP WASHER	MILD STEEL
10	SCREW	MILD STEEL

SIZE	1/2"	3/4"	1"	1.1/4"	1.1/2"	2"
A	55.5	70	81	94	107	126
B	46.5	55.5	65	70.5	78	96.5
C	90	111.5	109	123.5	141	156

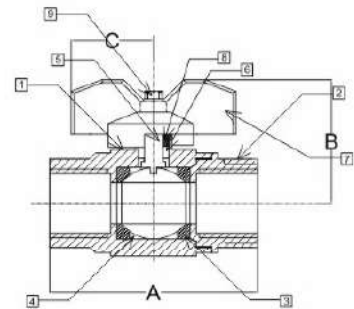
205 BRASS BALL VALVE M.F.



NO	PART	MATERIAL
1	BODY	FORGED BRASS
2	CAP	FORGED BRASS
3	BALL	BRASS
4	BALL SEAT	PTFE
5	STEM	BRASS ROD
6	STEM SEAT	PTFE
7	NUT	BRASS
8	HANDLE	MILD STEEL
9	CUP WASHER	MILD STEEL
10	SCREW	MILD STEEL

SIZE	1/2"	3/4"
A	61	75
B	46.6	55.5
C	90	111.5

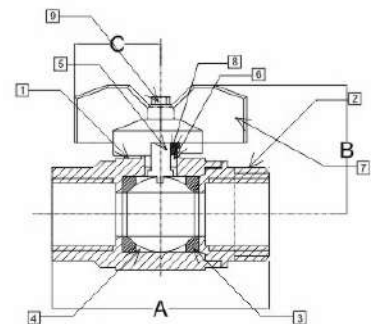
202 BRASS BALL VALVE F.F.



NO	PART	MATERIAL
1	BODY	FORGED BRASS
2	CAP	FORGED BRASS
3	BALL	BRASS
4	BALL SEAT	PTFE
5	STEM	BRASS ROD
6	STEM SEAT	PTFE
7	NUJ	BRASS
8	HANDLE	ALUMINIUM
9	SCREW	MILD STEEL

SIZE	1/2"	3/4"
A	55.5	70
B	45	51
C	30	36

207 BRASS BALL VALVE M.F.



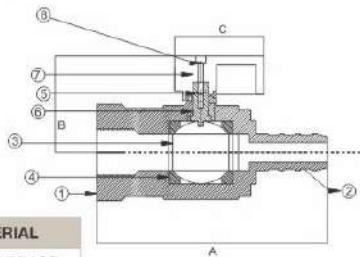
NO	PART	MATERIAL
1	BODY	FORGED BRASS
2	CAP	FORGED BRASS
3	BALL	BRASS
4	BALL SEAT	PTFE
5	STEM	BRASS ROD
6	STEM SEAT	PTFE
7	HANDLE	BRASS
8	NUJ	ALUMINIUM
9	SCREW	MILD STEEL

SIZE	1/2"	3/4"
A	60.5	75
B	45	51
C	30	36



VENUS

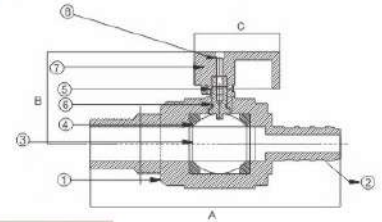
210 GAS VALVE



NO	PART	MATERIAL
1	BODY	FORGED BRASS
2	CAP	FORGED BRASS
3	BALL	BRASS
4	BALL SEAT	PTFE
5	STEM	BRASS
6	STEM 'O' RING	NBR
7	HANDLE	ALUMINIUM
8	SCREW	MILD STEEL

SIZE	1/2"
A	74
B	39.5
C	42.5

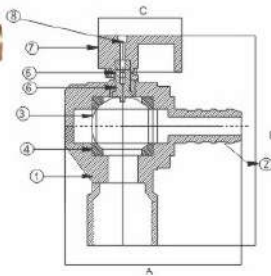
211 GAS VALVE



NO	PART	MATERIAL
1	BODY	FORGED BRASS
2	CAP	FORGED BRASS
3	BALL	BRASS
4	BALL SEAT	PTFE
5	STEM	BRASS
6	STEM 'O' RING	NBR
7	HANDLE	ALUMINIUM
8	SCREW	MILD STEEL

SIZE	1/2"
A	74
B	39.5
C	42.5

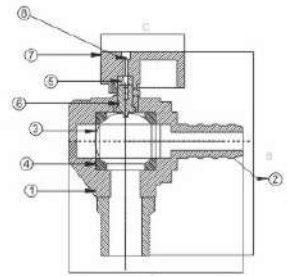
212 GAS VALVE



NO	PART	MATERIAL
1	BODY	FORGED BRASS
2	CAP	FORGED BRASS
3	BALL	BRASS
4	BALL SEAT	PTFE
5	STEM	BRASS
6	STEM 'O' RING	NBR
7	HANDLE	ALUMINIUM
8	SCREW	MILD STEEL

SIZE	1/2"
A	62
B	67.5
C	42.5

213 GAS VALVE



NO	PART	MATERIAL
1	BODY	FORGED BRASS
2	CAP	FORGED BRASS
3	BALL	BRASS
4	BALL SEAT	PTFE
5	STEM	BRASS
6	STEM 'O' RING	NBR
7	HANDLE	ALUMINIUM
8	SCREW	MILD STEEL

SIZE	1/2"
A	62
B	72.5
C	42.5



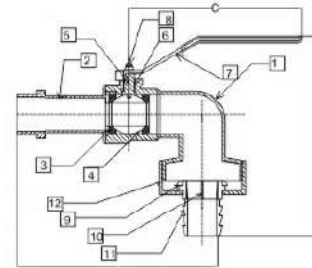
VENUS



85 HOSE BIB COCK



SIZE	1/2"	3/4"	1"
A	90	113	135
B	88.5	100	122
C	91.5	91.5	121

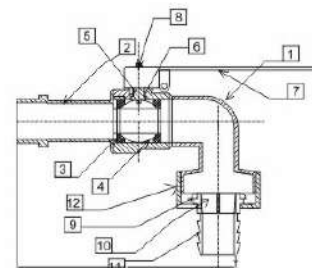


NO	PART	MATERIAL
1	BODY	FORGED BRASS
2	SPINDLE	FORGED BRASS
3	BALL	BRASS
4	BALL SEAT	PTFE
5	STEM	BRASS ROD
6	STEM SEAT	NRB
7	HANDLE	MILD STEEL
8	SCREW	MILD STEEL
9	O RING	NRB
10	WASHER	ABS
11	NOZZLE	BRASS
12	FLOWER CAP	BRASS
13	CUP WASHER	MILD STEEL

85L LOCKING HOSE BIB COCK



SIZE	1/2"	3/4"
A	90	113
B	84	96.5
C	78.5	78.5



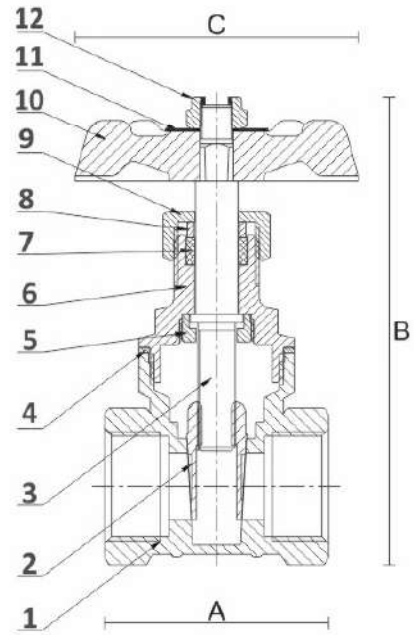
NO	PART	MATERIAL
1	BODY	FORGED BRASS
2	SPINDLE	FORGED BRASS
3	BALL	BRASS
4	BALL SEAT	PTFE
5	STEM	BRASS ROD
6	STEM SEAT	NRB
7	HANDLE	MILD STEEL
8	SCREW	MILD STEEL
9	O RING	NRB
10	WASHER	ABS
11	NOZZLE	BRASS
12	FLOWER CAP	BRASS



VENUS



80 BRASS GATE VALVE



SIZE	1/2"	3/4"	1"	1.1/4"	1.1/2"	2"	2.1/2"	3"	4"
A	42	47	53	59	64	72	83	92	102
B	87	103	115	136	149	171	217	251	309
C	54	62	62	73	79	86	99	108	151

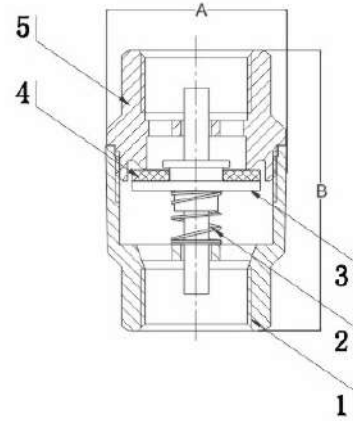
NO	PART	MATERIAL
1	BODY	FORGED BRASS
2	GATE	FORGED BRASS
3	STEM	BRASS
4	GASKET	ASBESTOS
5	LOCKING NUT	BRASS
6	UPPER BODY	BRASS
7	STEM SEAT	PTFE
8	RING	BRASS
9	NUT	BRASS
10	WHEEL	MILD STEEL
11	NAME PLATE	ALUMINIUM
12	NUT	MILD STEEL



VENUS



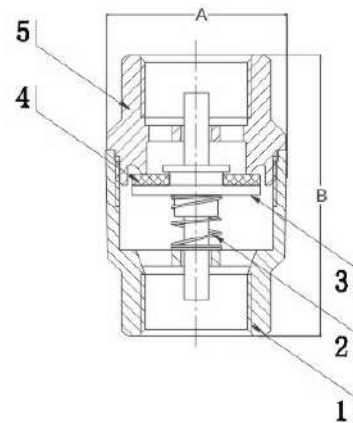
50 BRASS CHECK VALVE



NO	PART	MATERIAL
1	BODY	BRASS
2	SPRING	S.S.304
3	BOARD	BRASS
4	WASHER	NBR
5	CAP	BRASS

SIZE	1/2"	3/4"	1"	1.1/4"	1.1/2"	2"	2.1/2"	3"	4"
A	33.5	41.5	48	60	69	81	104	120	150
B	51.5	59	66.5	78	89.5	102	119	130	148.5

50B BRASS CHECK VALVE



NO	PART	MATERIAL
1	BODY	BRASS
2	SPRING	S.S.304
3	BOARD	BRASS
4	WASHER	NBR
5	CAP	BRASS

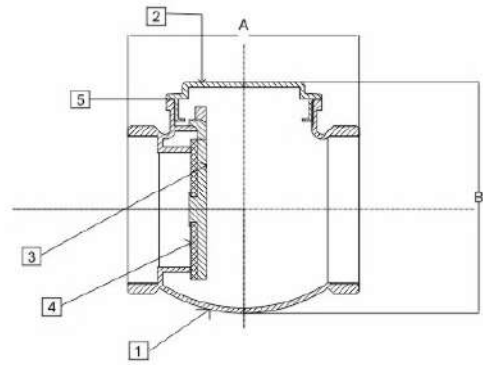
SIZE	1/2"	3/4"	1"	1.1/4"	1.1/2"	2"
A	32.5	40.5	46.5	59	67	80
B	52	59	66.5	77	89.5	102



VENUS



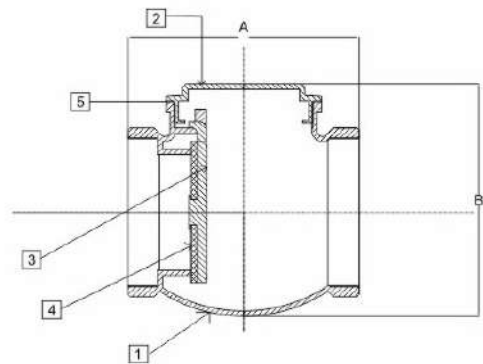
60 SWING CHECK VALVE N. P.



NO	PART	MATERIAL
1	BODY	BRASS
2	CAP	BRASS
3	DISK	BRASS
4	WASHER	NBR
5	GASKET	ASBESTOS

SIZE	1/2"	3/4"	1"	1.1/4"	1.1/2"	2"	2.1/2"	3"	4"
A	45	56	66	75	85	104	112	136	175
B	50	55	64.5	76	84.5	100	124	140	181

60B SWING CHECK VALVE B. P.



NO	PART	MATERIAL
1	BODY	BRASS
2	CAP	BRASS
3	DISK	BRASS
4	WASHER	NBR
5	GASKET	ASBESTOS

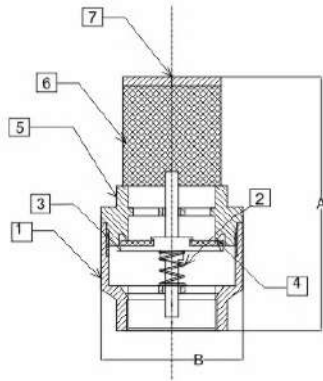
SIZE	1/2"	3/4"	1"	1.1/4"	1.1/2"	2"	2.1/2"	3"	4"
A	45	56	66	75	85	104	112	136	175
B	50	55	64.5	76	84.5	100	124	140	181



VENUS



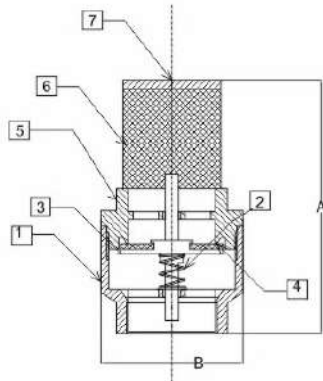
55 NET FOOT VALVE



NO	PART	MATERIAL
1	BODY	BRASS
2	SPRING	S.S 304
3	BOARD	BRASS
4	WASHER	NBR
5	CAP	ABS
6	NET	S.S 304
7	CAP	S.S 304

SIZE	1/2"	3/4"	1"	1.1/4"	1.1/2"	2"
A	68.5	80	95.5	111	127	146
B	34	42	48	60	68	81

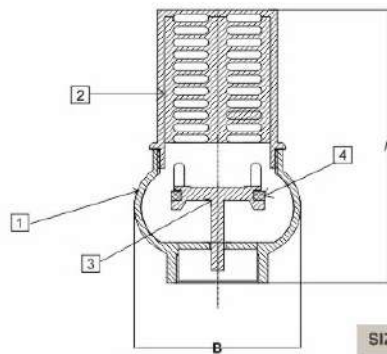
55B NET FOOT VALVE



NO	PART	MATERIAL
1	BODY	BRASS
2	SPRING	S.S 304
3	BOARD	BRASS
4	WASHER	NBR
5	CAP	ABS
6	NET	S.S 304
7	CAP	S.S 304

SIZE	1/2"	3/4"	1"	1.1/4"	1.1/2"	2"
A	69	80.5	96	111	127.5	145
B	32.5	41.5	47	58	67.5	80

70 BRASS FOOT VALVE



NO	PART	MATERIAL
1	BODY	BRASS
2	NET	BRASS
3	BOARD	BRASS
4	WASHER	NBR

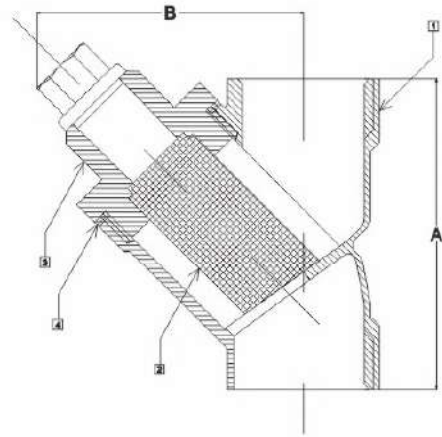
SIZE	1/2"	3/4"	1"	1.1/4"	1.1/2"	2"	2.1/2"	3"	4"
A	58	67	76	93	103	119	133	150	171
B	38	41	50	60	68	79.5	102	116	145



VENUS



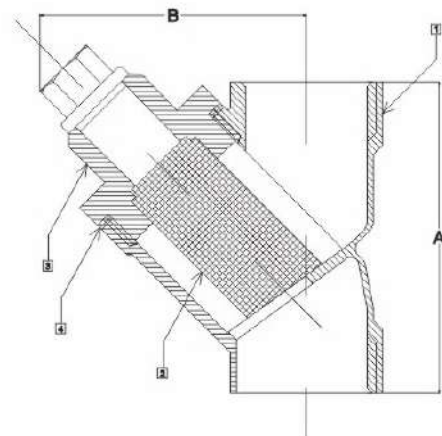
40 BRASS Y-STRAINER N. P.



NO	PART	MATERIAL
1	BODY	BRASS
2	NET	S.S.304
3	CAP	BRASS
4	GASKET	ASBESTOS

SIZE	1/2"	3/4"	1"	1.1/4"	1.1/2"	2"
A	52	61.5	73	86	102	124
B	38.5	45	52	64	72	84

40B BRASS Y-STRAINER B. P.



NO	PART	MATERIAL
1	BODY	BRASS
2	NET	S.S.304
3	CAP	BRASS
4	GASKET	ASBESTOS

SIZE	1/2"	3/4"	1"	1.1/4"	1.1/2"	2"
A	52	61.5	73	86	102	124
B	38.5	45	52	68	72	84

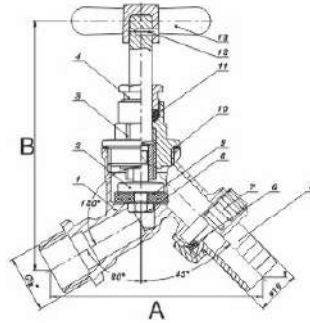


VENUS



DC-130
DC-132

DRAIN COCK

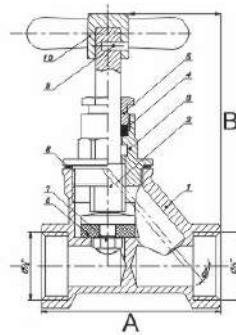


SIZE	1/2"	3/4"
A	84	98.5
B	105	124

NO	PART	MATERIAL
1	BODY	FORGED BRASS
2	STEM	BRASS
3	CAP	FORGED BRASS
4	NUT	BRASS
5	NOZZLE	BRASS
6	WASHER	NBR
7	FLOWER CAP	FORGED BRASS
8	SPINDLE	BRASS
9	WASHER	NBR
10	GASKET	ASBESTOS
11	STEM SEAT	NBR
12	PIN	BRASS
13	HANDLE	FORGED BRASS

SC-126
DC-128

STOP COCK

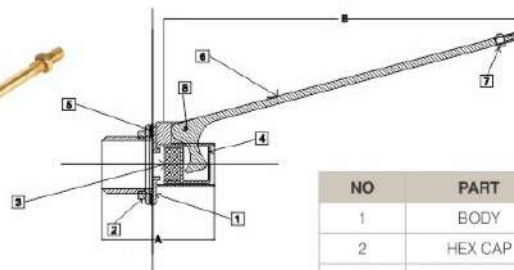


SIZE	1/2"	3/4"
A	56	76.5
B	96	122

NO	PART	MATERIAL
1	BODY	FORGED BRASS
2	STEM	BRASS
3	CAP	FORGED BRASS
4	STEM SEAT	NBR
5	NUT	BRASS
6	WASHER	NBR
7	SPINDLE	BRASS
8	GASKET	ASBESTOS
9	PIN	BRASS
10	HANDLE	FORGED BRASS

16

FLOATING VALVE



SIZE	1/2"	3/4"	1"
A	67	78	85.5
B	225	190	265

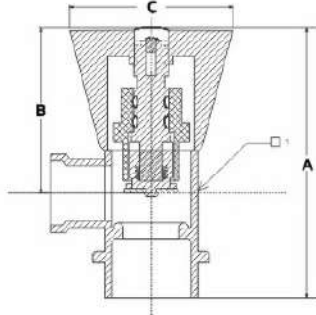
NO	PART	MATERIAL
1	BODY	FORGED BRASS
2	HEX CAP	FORGED BRASS
3	WASHER	NBR
4	SPINDLE	FORGED BRASS
5	WASHER	NBR
6	ROD	BRASS
7	HEX NUT	BRASS
8	LOCK PIN	BRASS



VENUS



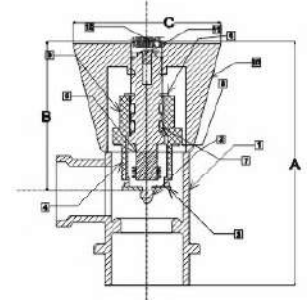
STAR BRASS ANGLE VALVE



NO	PART	MATERIAL
1	BODY	ZINC
2	DUM NUT	BRASS
3	WASHER	NBR
4	BUS	BRASS
5	STEM	BRASS
6	LOCK	BRASS
7	STEM "O" RING	NBR
8	"O" RING	NBR
9	NUT BODY	BRASS
10	KNOB	ZINC
11	SCREW	MILD STEEL
12	CAP	ABS

SIZE	1/2"
A	84.5
B	46
C	37

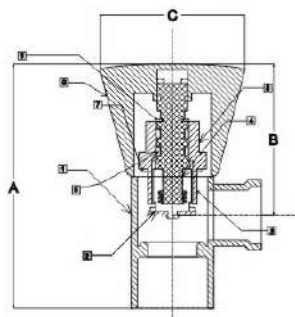
GOLD BRASS ANGLE VALVE



NO	PART	MATERIAL
1	BODY	BRASS
2	DUM NUT	BRASS
3	WASHER	NBR
4	BUSH	BRASS
5	STEM	BRASS
6	LOCK	BRASS
7	STEM "O" RING	NBR
8	"O" RING	NBR
9	NUT BODY	BRASS
10	KNOB	ZINC
11	SCREW	MILD STEEL
12	CAP	ABS

SIZE	1/2"
A	78
B	48
C	33

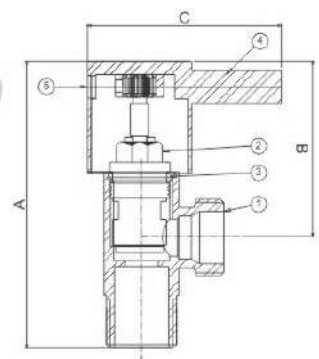
DIAMOND BRASS ANGLE VALVE



NO	PART	MATERIAL
1	BODY	BRASS
2	WASHER	NBR
3	BUSH	BRASS
4	STEM	BRASS
5	STEM "O" RING	NBR
6	CAP	BRASS
7	LOCK	BRASS
8	"O" RING	NBR
9	NUT BODY	BRASS
10	KNOB	ZINC

SIZE	1/2"
A	92
B	50
C	37.5

DELUXE BRASS ANGLE VALVE



NO	PART	MATERIAL
1	BODY	BRASS
2	CERAMIC SPINDLE	BRASS
3	"O" RING	NBR
4	KNOB	ZINC
5	GRUB SCREW	MILD STEEL

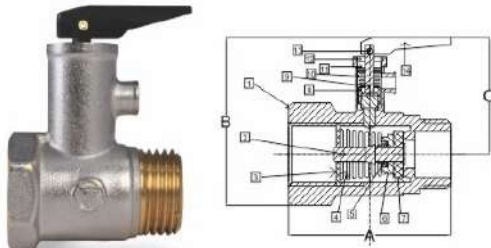
SIZE	1/2"
A	80.5
B	46.5
C	51.75



VENUS



15 WATER HEATER SAFETY VALVE



NO	PART	MATERIAL
1	BODY	BRASS
2	STEM	BRASS
3	CONTROL SCREW WHEEL	ABS
4	SPRING	S.S 304
5	SPRING	S.S 304
6	SPRING BASE	ABS
7	WASHER	ABS
8	SPRING BASE	ABS
9	STEM	ABS
10	SPRING	S.S 304
11	CONTROL SCREW WHEEL	ABS
12	CAP	S.S 304
13	LOCK PIN	BRASS
14	HANDLE	ABS

SIZE	1/2"
A	40.2
B	57
C	42

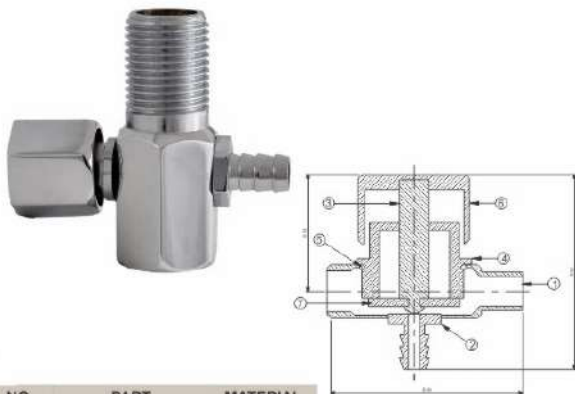
99 MINI VALVE



NO	PART	MATERIAL
1	BODY	BRASS
2	NUT	BRASS
3	BALL	BRASS
4	BALL SEAT	PTFE
5	STEM	BRASS
6	STEM SEAT	PTFE
7	HANDLE	ABS
8	SCREW	MILD STEEL

SIZE	1/2"
A	44
B	30.4
C	69.5

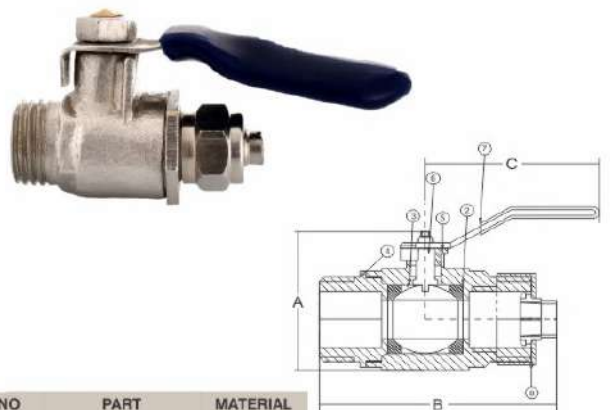
18 CONNECTOR TEE



NO	PART	MATERIAL
1	BODY	BRASS
2	HEX NIPPLE	BRASS
3	SPINDLE	BRASS
4	CAP	BRASS
5	'O' RING	NBR
6	HEX KNOB	BRASS
7	RUBBER WASHER	NBR

SIZE	1/2"
A	67.5
B	61
C	37.5

19 RO VALVE



NO	PART	MATERIAL
1	BODY	BRASS
2	PTFE	BRASS
3	BALL	BRASS
4	M/F NIPPLE	BRASS
5	NUT	NBR
6	STEM	BRASS
7	HANDLE	NBR
8	NUT	BRASS

SIZE	1/2"
A	50.85
B	75.31
C	63



01

BRASS NIPPLE SOCKET



ART NO.	EN1	EN1.5	EN2	EN2.5	EN3	EN4	EN6
SIZE	1"	1.5"	2"	2.5"	3"	4"	6"

02

BRASS NIPPLE SOCKET



ART NO.	102	103	104	105	106	107	108
SIZE	10mm	15mm	20mm	25mm	30mm	40mm	50mm

03

BRASS HEX NIPPLE



ART NO.	128	129	199	200
SIZE	1/2" x 1/2"	3/4" x 3/4"	1/2" x 3/8"	1/2" x 3/4"

04

BRASS REDUCING BUSH



ART NO.	138	139
SIZE	1/2" x 3/8"	1/2" x 3/4"



05 BRASS TEE



ART NO.	135
SIZE	1/2" x 1/2" x 1/2"

06 BRASS ELBOW M/ F



ART NO.	133
SIZE	1/2" x 1/2"

07 BRASS ELBOW F/F



ART NO.	131
SIZE	1/2" x 1/2"

08 BRASS 3 PCS CONNECTOR



ART NO.	183
SIZE	1/2"

09 BRASS SOCKET



ART NO.	153
SIZE	1/2"

10 BRASS SOCKET



ART NO.	1531
SIZE	1/2"

11 BRASS CAP



ART NO.	137
SIZE	1/2"

12 BRASS SQUARE PLUG



ART NO.	134S
SIZE	1/2"

13 BRASS ROUND PLUG



ART NO.	134R
SIZE	1/2"

14 BRASS LONG NIPPLE



ART NO.	144	244
SIZE	1/2" x 4'	3/4" x 4"

15 BRASS INSERT FOR FOU CET



ART NO.	141
SIZE	1/2" x 1/2"

16 BRASS TANK CONNECTOR



ART NO.	136	136	136	136	136	136
SIZE	1/2"	3/4"	1"	1.1/4"	1.1/2"	2"

SPECTRO (MATERIAL ANALYSIS MACHINE)



PROFILE PROJECTOR



PLATING THICKNESS TESTING MACHINE



SALT SPRAY MACHINE



TORQUE TESTING MACHINE



PRESSURE TESTING MACHINE



LEAKAGE TESTING MACHINE



HARDNESS TESTING MACHINE



LIFE TESTING MACHINE





VENUS

Venus Valves Industries

Plot No. 4258, GIDC, PHase III, Road No. E, Dared, Jamnagar - 361 004 (GUJARAT) INDIA
Phone : +91 - 288 - 273 10 58, +91 - 288 - 273 11 58 website : www.venusvalvesind.com

